

miriac® VME2020 (EOL)

Based on the NXP® QorIQ® Power Architecture

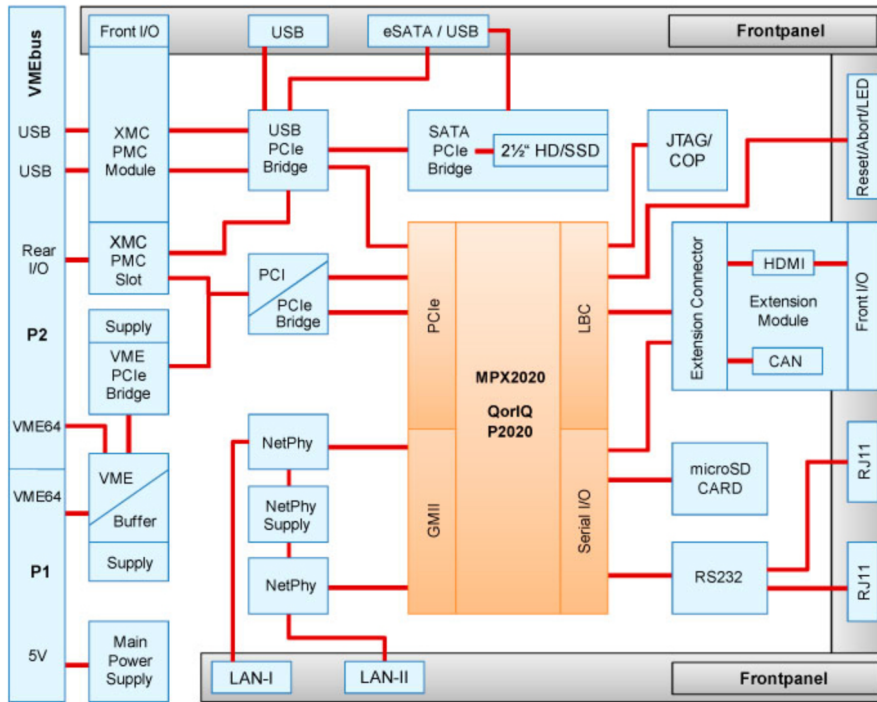
- 6U VMEbus CPU Board, 2eSST VME-Bus interface
- Conforms to VMEbus specification ANSI/IEEE STD1014-1987- and ANSI/VITA 1-1994 feature
- QorIQ® NXP® P2020 dual core CPU, up to 1.33 GHz core speed
- Up to 2 GB DDR2-soldered ECC RAM and up to 512 MB NAND Flash memory



[Home](#) / [Products](#) / [SBC](#) / [VME](#) / **miriac® VME2020 (EOL)**

The product family addresses applications from low performance and power requirements up to high performance multi core usage profiles. The VME2020 board is operated by a QorIQ® P2020 dual core processor. The boards are specified for rugged and harsh environmental conditions and versions for the extended temperature range of -40°C to +85°C are available on request.





Features

CPU	
Processor	NXP®QorIQ®P2020 dual core CPU, up to 1.33 GHz core speed
DRAM	up to 2 GB DDR2-soldered ECC RAM
Memory	
Flash	up to 512 MB NAND Flash memory
Flash Card	1x microSD card connector
Graphic	
HDMI Interface	1x HDMI (processor option) in Front Panel
High Speed IO	
USB 2.0	2x USB on Front Panel
SATA	1x eSATA on Front Panel
SATA	1x SATA interface for standard 2,5" on board mountable mass storage devices
Mechanical	
Formfactor	6U VMEbus CPU Board, 2eSST VME-Bus interface
Formfactor	6U VMEbus CPU Board, 2eSST VME-Bus interface

Software / Additional

Software Support Linux, Microware® OS-9, VxWorks, others on request

Additional CPU temperature monitoring

Our standard product versions offer what we consider to be the optimum configuration in terms of performance, price, usage and TDP. The product features lists specify the maximum range of functions per interface. However, not all interfaces or functions are always available in parallel. Flexible SERDES multiplexing is one of the reasons for this. In addition, we provide multiple memory expansion options and are also happy to accommodate specific customer wishes. So do not hesitate to contact us directly to discuss your desired configuration.