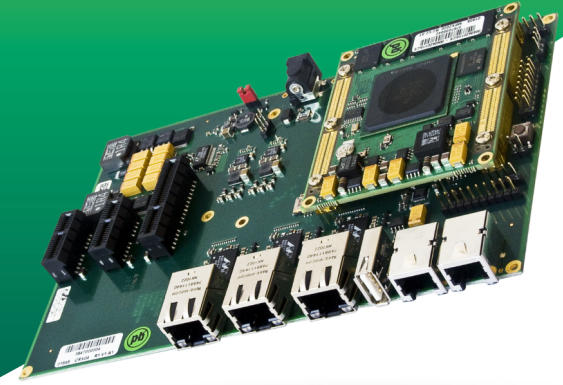


miriac® SBC2020 (EOL)

Single Board Computer based on NXP® QorIQ® P2020

- Up to 2 GB soldered DDR2 RAM
- Two 208 Pin Zero Force Connectors, that make all I/O and bus signals available to the carrier board
- The four e500v2 CPU cores in combination with the integrated hardware hypervisor and CoreNet fabric allow completely new designs for control applications

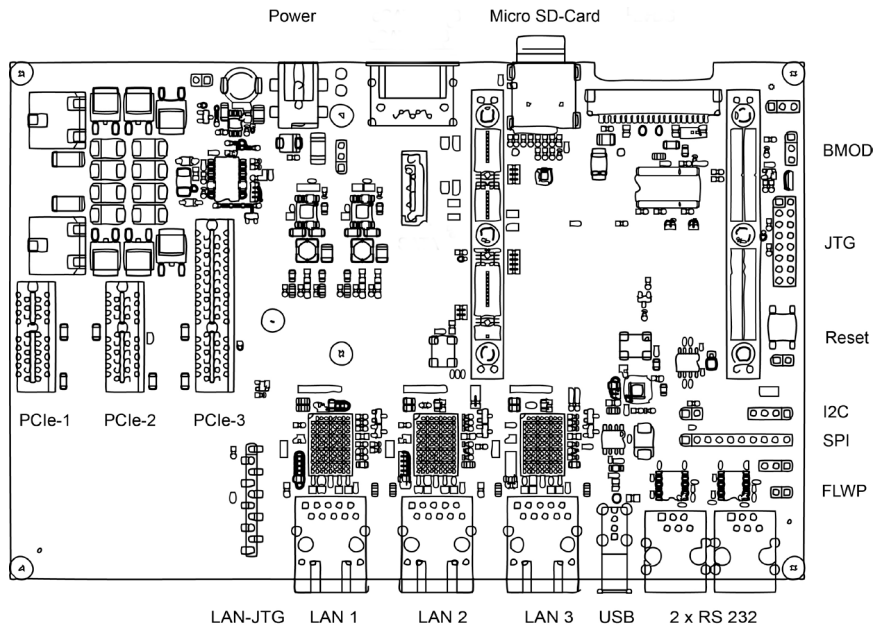


[Home](#) / [Products](#) / [SBC](#) / [Power Architecture](#) / **miriac® SBC2020 (EOL)**

The miriac® SBC2020 Single Board Computer is a member of a family of Freescale QorIQ® P2/P1 series based complete system solutions by MicroSys. The single board computer is a fast means to implement rugged designs with the aim to withstand extreme and harsh environments.



Block Diagrams



CPU	
Architecture	PowerPC
Processor	NXP® QorIQ® P2020, 2x e500v2 core @1.0 or 1.2 GHz, 32 kB L1 and 512 kB L2 caches
Memory	
Flash	up to 512 MB NAND Flash
Flash Card	1x microSD Card Slot
High Speed IO	
USB 2.0	1x USB 2.0
Operating Condition	
Power Supply Voltage	Single +12 V power input
Software / Additional	
Software Support	<ul style="list-style-type: none">• Linux• Microware OS-9• VxWorks• MicroC/OS-II• QNX• others are available on request

Our standard product versions offer what we consider to be the optimum configuration in terms of performance, price, usage and TDP. The product features lists specify the maximum range of functions per interface. However, not all interfaces or functions are always available in parallel. Flexible SERDES multiplexing is one of the reasons for this. In addition, we provide multiple memory expansion options and are also happy to accommodate specific customer wishes. So do not hesitate to contact us directly to discuss your desired configuration.