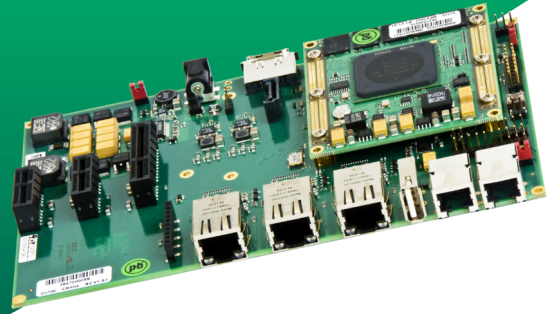


miriac® SBC1013 (EOL)

Single Board Computer based on NXP® QorlQ® P1013

- Up to 2 GB soldered DDR2 memory
- Two 208 Pin Zero Force Connectors, that make all I/O and bus signals available to the carrier board
- LCD interface supporting a display of 1280 x 1024 P @ 60 MHz, 24 bits per pixel

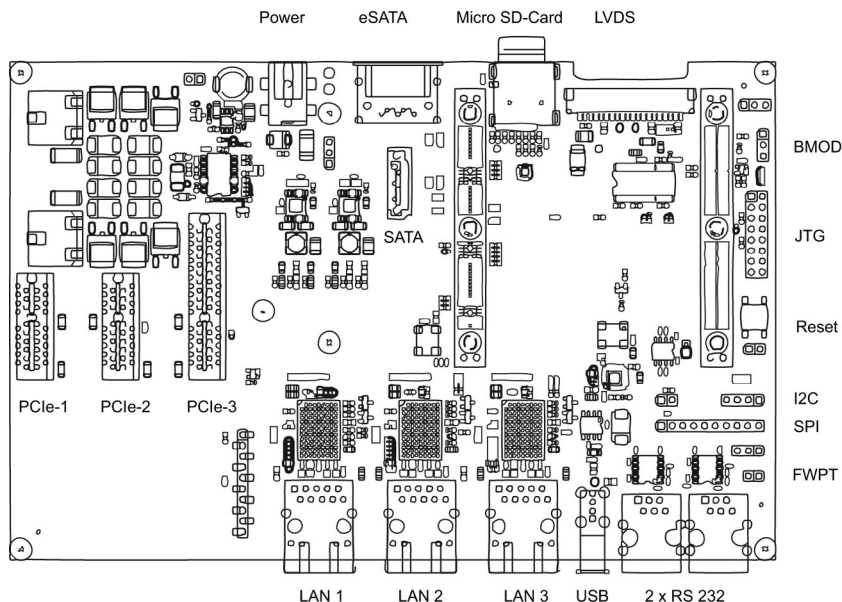


[Home](#) / [Products](#) / [SBC](#) / [Power Architecture](#) / **miriac® SBC1013 (EOL)**

The miriac® SBC1013 Single Board Computer is a member of a family of Freescale QorlQ® P2/P1 series based complete system solutions by MicroSys. The single board computer is a fast means to implement rugged designs with the aim to withstand extreme and harsh environments. In addition the SBC1013 offers a LVDS interface for embedded graphics applications on a low power consumption envelope with its single e500v2 core.



Block Diagrams



CPU

Architecture PowerPC

Processor NXP® QorIQ® P1013 CPU, single 500 v2 core@600 - 1055 MHz, 256 kB L2 Cache with ECC, also configurable as SRAM and stashing memory

Memory

Flash up to 512 MB NAND Flash

Flash Card 1x SD Card Slot

Graphic

Graphics Controller LCD interface supporting a display of 1280 x 1024P @ 60 MHz, 24 bits per pixel

High Speed IO

USB 2.0 1x USB 2.0

SATA 2x SATA

Operating Condition

Power Supply Voltage Single +12 V power input

Software / Additional

Software Support

- Linux
- Microware OS-9
- VxWorks
- QNX
- others are available on request

Our standard product versions offer what we consider to be the optimum configuration in terms of performance, price, usage and TDP. The product features lists specify the maximum range of functions per interface. However, not all interfaces or functions are always available in parallel. Flexible SERDES multiplexing is one of the reasons for this. In addition, we provide multiple memory expansion options and are also happy to accommodate specific customer wishes. So do not hesitate to contact us directly to discuss your desired configuration.