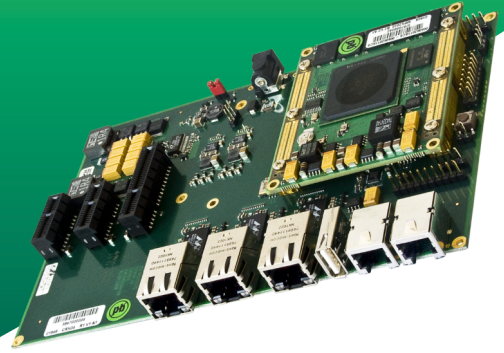


miriac® SBC1011 (EOL)

Single Board Computer based on NXP® QorIQ® P1011

- Up to 1 GB soldered DDR2 memory
- Two 208 Pin Zero Force Connectors, that make all I/O and bus signals available to the carrier board
- The P1011 processor provides single core solutions for the 533 MHz to 800 MHz performance range, along with advanced security and a rich set of interfaces

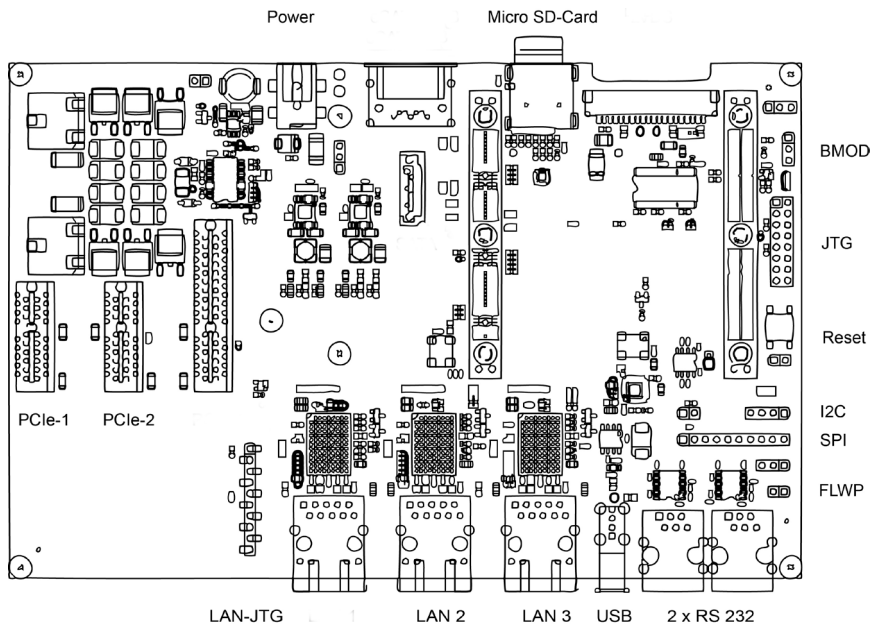


[Home](#) / [Products](#) / [SBC](#) / [Power Architecture](#) / **miriac® SBC1011 (EOL)**

The miriac® SBC1011 Single Board Computer is a member of a family of Freescale QorIQ® P2/P1 series based complete system solutions by MicroSys. The single board computer is a fast means to implement rugged designs with the aim to withstand extreme and harsh environments. In addition the SBC1011 offers a low power consumption envelope with its single e500v2 core at a very efficient price performance ratio.



Block Diagrams



CPU

Architecture	PowerPC
--------------	---------

Processor	NXP® QorIQ® P1011 CPU, single 500 v2 core@533 - 800 MHz, 256 kB L2 Cache with ECC, also configurable as SRAM and stashing memory
-----------	--

Memory

Flash	up to 512 MB NAND Flash
-------	-------------------------

Flash Card	1x SD Card Slot
------------	-----------------

High Speed IO

USB 2.0	1x USB 2.0
---------	------------

Operating Condition

Power Supply Voltage	Single +12 V power input
----------------------	--------------------------

Software / Additional

Software Support	<ul style="list-style-type: none">• Linux• Microware OS-9• VxWorks• QNX• others are available on request
------------------	--

Our standard product versions offer what we consider to be the optimum configuration in terms of performance, price, usage and TDP. The product features lists specify the maximum range of functions per interface. However, not all interfaces or functions are always available in parallel. Flexible SERDES multiplexing is one of the reasons for this. In addition, we provide multiple memory expansion options and are also happy to accommodate specific customer wishes. So do not hesitate to contact us directly to discuss your desired configuration.