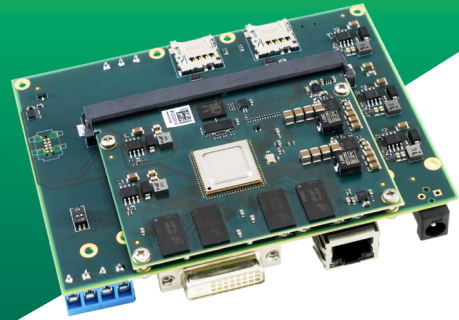


## miriac® SBC-S32V234

The miriac® SBC-S32V234 Single Board Computer based on the NXP® S32V234 Arm® Vehicle Network Processors family for compute intensive image processing applications.

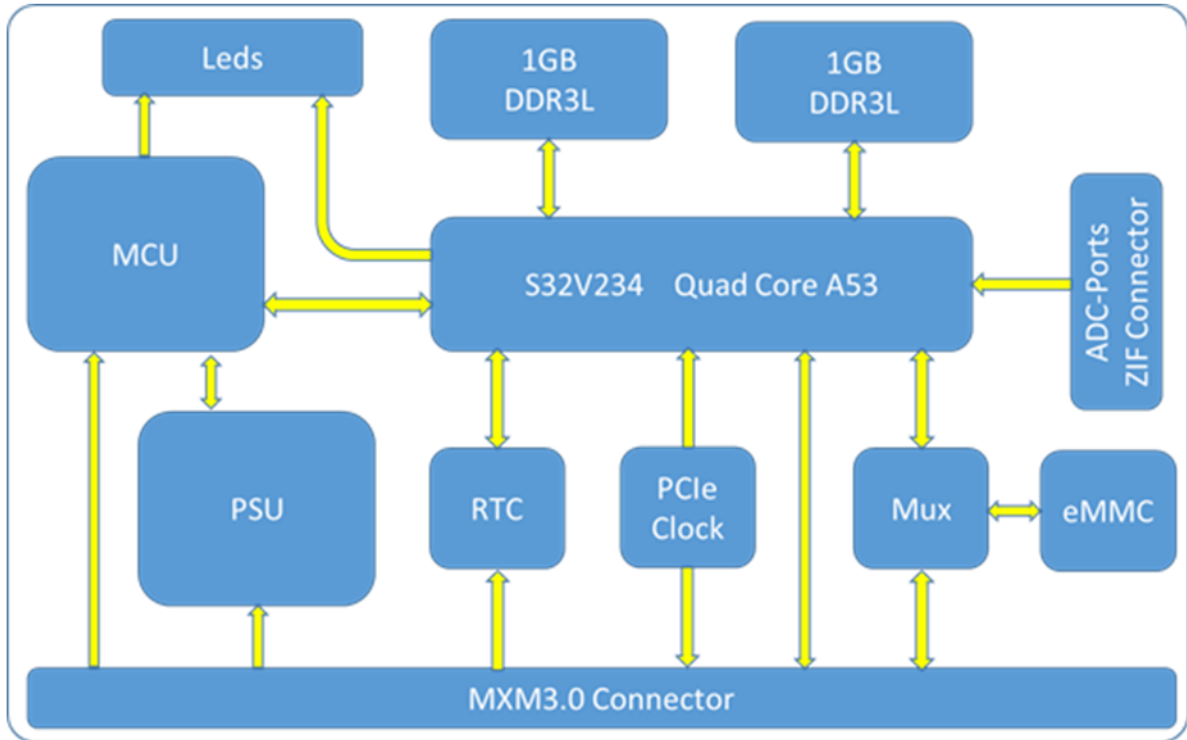
- MIPI CSI, the most widely used camera interface in the mobile industry
- up to dual 1 GB 32-bit ECC DDR3L RAM
- HDMI Display interface
- Safety: FCCU and FCCU output supervision unit
- Video encoder/decoder: H.264, 8/10/12-bit / H.264, 8/10/12-bit, JPEG, 8/12-bit, up to 4 streams



[Home](#) / [Products](#) / [SBC](#) / [Arm® Architecture](#) / **miriac® SBC-S32V234**

The miriac® SBC-S32V234 single board computer is a perfect embedded platform for environment recognition and detection. The system is an excellent means for rapid prototyping purposes or might be applied even for production use.





## Features

### CPU

Architecture	Arm® Cortex®-A53
Processor	NXP® S32V234 CPU: Quad Arm® Cortex®-A53 cores at up to 1.3 GHz core frequency 1x Cortex®-M4 Core for real time processing
DRAM	Up to dual 1 GB 32-bit ECC DDR3L RAM

### Memory

Flash Card	Yes
Boot Flash	eMMC or external SD card. dual boot mode dipswitch
eMMC	16 GB

### Graphic

HDMI Interface	1x
Camera Input	2x MIPI-CSI camera interface connector, 2x 5 V/12 V supply

### Ethernet

1GbE	1x
------	----

## High Speed IO

µUSB 1x

## IO

CAN FD 2x

LIN 1x

Analog Inputs (ADCs) 8x

JTAG Debug Interface Yes

miniPCIe 1x

## Operating Condition

Power Supply Voltage Single +12 V DC power input (+9 to +15 V)

RTC Yes

RTC-Buffer Supercap

Temperature 0 °C to 70 °C

## Mechanical

Dimensions 126 mm x 93 mm

## Software / Additional

Additional

- Four user LEDs
- Four system state LEDs
- Reset switch
- Polarity & overvoltage protection
- On/Off power switch
- 2x 5 V/12 V fan connectors

Our standard product versions offer what we consider to be the optimum configuration in terms of performance, price, usage and TDP. The product features lists specify the maximum range of functions per interface. However, not all interfaces or functions are always available in parallel. Flexible SERDES multiplexing is one of the reasons for this. In addition, we provide multiple memory expansion options and are also happy to accommodate specific customer wishes. So do not hesitate to contact us directly to discuss your desired configuration.

## Order Info

Name	Code	Description	Status
miriac® MPX-S32V234	854901	with NXP® S32V234@1 GHz CPU, up to 2x 1 GB DDR3L RAM	active
Development Kit basic for miriac® MPX-S32V234	8557	<ul style="list-style-type: none"><li>• miriac® MPX-S32V234</li><li>• CRX-S32V</li><li>• incl.BSP and accessories</li></ul>	active

## Take a look at related products

