

miriac® MPX2020 (EOL)

System on Module based on NXP® QorIQ® P2020 CPU

- up to 2 GB DDR2 memory, soldered, optional: with EEC
- up to four SerDes up to 3.125 GHz multiplexed across controllers
- two 208 Pin Zero Force Connectors, that make all I/O and bus signals available to the carrier board
- High precision RTC
- Scaling from a single core at 533 MHz (P1011) to a dual core at 1.2 GHz (P2020)

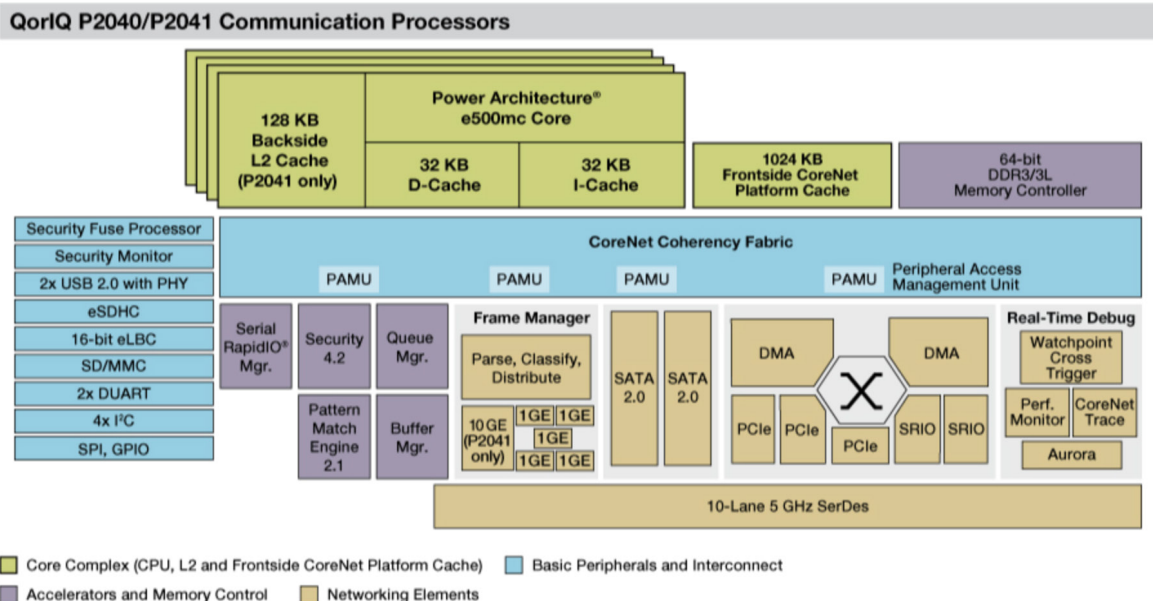


[Home](#) / [Products](#) / [System-on-Modules](#) / [Power Architecture](#) / **miriac® MPX2020 (EOL)**

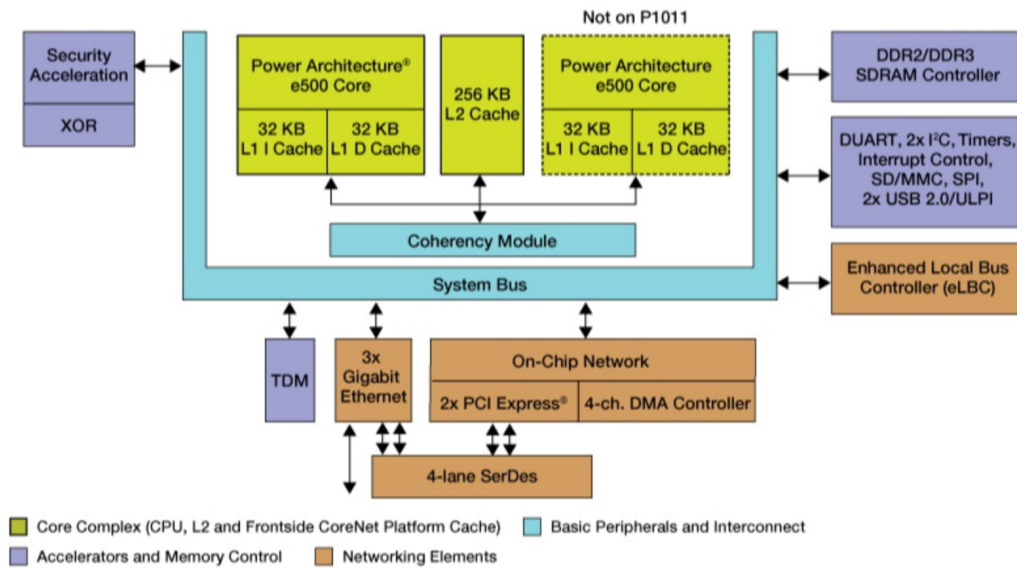
The miriac® MPX2020 CPU Module is the first of a series of QorIQ® based products. The P2020 combines dual Power Architecture® e500v2 processor cores with system logic required for networking, wireless infrastructure and telecommunications applications.



Block Diagrams



QorIQ P1020 and P1011 Block Diagram



Features

CPU

Architecture PowerPC

Memory

Flash up to 512 MB NAND Flash

Flash Card 1x SD

High Speed IO

SerDes lanes up to four SerDes up to 3.125 GHz multiplexed across controllers, e.g.

- 3x PCI Express®
- 2x SRIO or
- 2x SGMII

USB 2.0 1x USB 2.0

Operating Condition

Temperature optional: ext. temp.

Mechanical

Formfactor MPX-1, 77 mm x 66 mm

Software / Additional

Software Support

- Linux
- Microware OS-9
- VxWorks
- MicroC/OS-II
- QNX
- others are available on request

Our standard product versions offer what we consider to be the optimum configuration in terms of performance, price, usage and TDP. The product features lists specify the maximum range of functions per interface. However, not all interfaces or functions are always available in parallel. Flexible SERDES multiplexing is one of the reasons for this. In addition, we provide multiple memory expansion options and are also happy to accommodate specific customer wishes. So do not hesitate to contact us directly to discuss your desired configuration.

Take a look at related products

