

miriac[®] MPX-S32V234 SoM

based on NXP S32V234 CPU

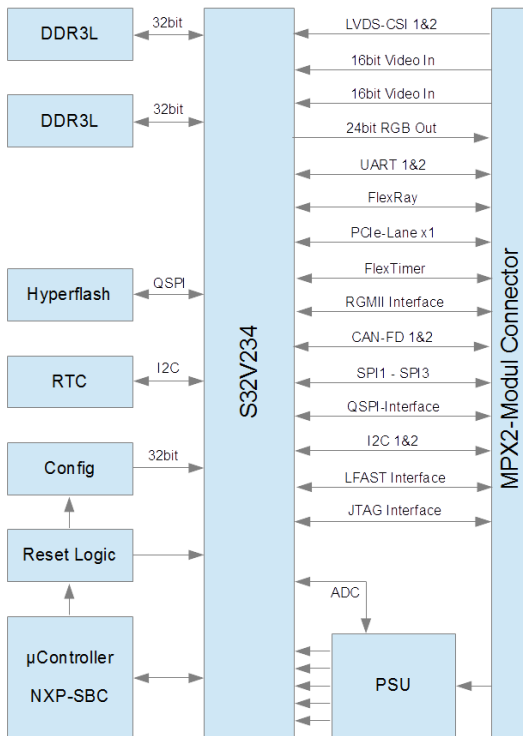
Product Description



miriac MPX-S32V234 SoM connecting to a standard edge connector (MXM3.0 Socket): 62mm x 82mm, 5V-12V DC

Feature Overview

- NXP S32V234 CPU: Quad ARM[®] Cortex[®] A53 cores at up to 1.0 GHz core frequency
- 1x Cortex M4 Core for real time processing
- Safety: FCCU and FCCU output supervision unit
- Security & Encryption: CSE-FL & AES-128
- Image Cognition: 2x APEX2-CL Dual 32-bit array with 2x32 compute units
- Video encoder/decoder: H.264, 8/10/12-bit / H.264, 8/10/12-bit, JPEG, 8/12-bit, up to 4 streams
- Up to dual 1GB 32 Bit ECC DDR3L RAM
- Boot ROM: eMMC
- USHDC: 2x 8bit (boot option)
- PCI express: 1x 2.0 RC/EP
- Ethernet: 1x MII/RGMII
- Serial: 2x MIPI-CSI: 2x4 lanes, up to 1.5 Gbps
- Display Control Unit: 1x 24bit, RGB, DVI/HDMI
- FlexCAN: 2x CAN-FD
- UART: 2x 2-Wire
- JTAG: 1x
- I²C: 3x
- RTC
- RCON/serial Boot switch
- GPU Power disconnect option



Software Support

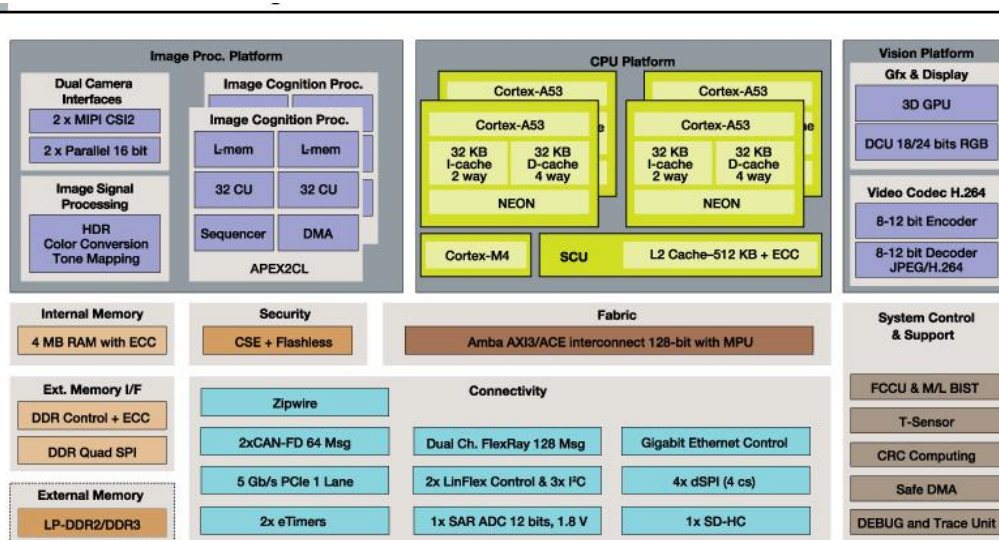
- Linux

Order Information

Order Number	Description	Status
854901	miriac MPX-S32V234 SoM, with NXP S32V234@1GHz CPU, up to 2x 1GB DDR3L RAM	available
855710	miriac SBC-S32V234A Development Kit, SoM, Carrier, Linux BSP, accessories	available

Fig. 1 miriac MPX-S32V234 SoM Block Diagram

Fig 2: S32V234 Block Diagram *



*) Copyright NXP Corp.

You are interested in more information? You are very welcome to contact us.

MicroSys Electronics GmbH
 Muehlweg 1
 82054 Sauerlach
 Germany www.microsys.de

Phone +49 (0)8104 801-0
 Hotline +49 (0)8104 801-130
 Fax +49 (0)8104 801-110
 Email info@microsys.de