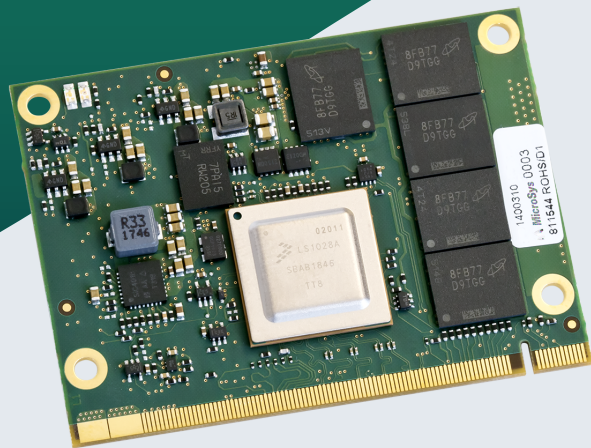


SoMs Arm® Architecture

# miriac® MPX-LS1028A

Compact SoM with TSN, security engine and HMI



## Highlights

- Two 64-bit Arm® Cortex®-A72 cores
- TSN based Real Time Ethernet communication
- Security engine
- Integrated graphics unit for HMI functions
- Small, highly integrated SoM, a perfect fit for IIoT devices and nodes





## Product Description

It combines high compute power by two powerful 64-bit Arm® Cortex®-A72 cores with TSN based Real Time Ethernet communication, a security engine and an integrated graphic unit for HMI functions.



## Features

CPU	
Architecture:	Arm® Cortex®-A72
Processor:	NXP® QorIQ® LS1028A CPU: 2 Arm® Cortex®-A72 64-bit cores at up to 1.5 GHz core frequency
DRAM:	Up to 4 GB 32-bit DDR4 ECC RAM 1600 MT/s
Memory	
Flash:	Up to 256 MB Serial NOR Flash & up to 512 MB Serial NAND Flash
Flash Card:	2x SDHC
Boot Flash:	SDHC, eMMC, XSPI, NAND Flash
eMMC:	8-bit
EEPROM:	Yes
Graphic	
Graphics Controller:	Yes
Display:	Display Port 1.3 and eDP1.4
Ethernet	
10GbE:	1x SXGMII / QXGMII
RGMI:	1x
SGMI:	4x 1.25 Gbps
QSGMI:	1x 5 Gbps
TSN / IEEE 1588:	Yes (4 Port TSN Switch on board) IEEE 802.1
High Speed IO	
SerDes lanes:	4x SerDes lanes at 10 Gbps
USB 3.0:	2x
PCIe:	4x PCIe Gen3
SATA:	1x GEN3
Security / Safety	
Security:	Trust Architecture
Operating Condition	
Power Supply Voltage:	Single 5 V DC input supply voltage range
Typical Power Consumption:	5 W
Power Management:	Yes
RTC:	PCF85063
Temperature:	0 °C to 70 °C

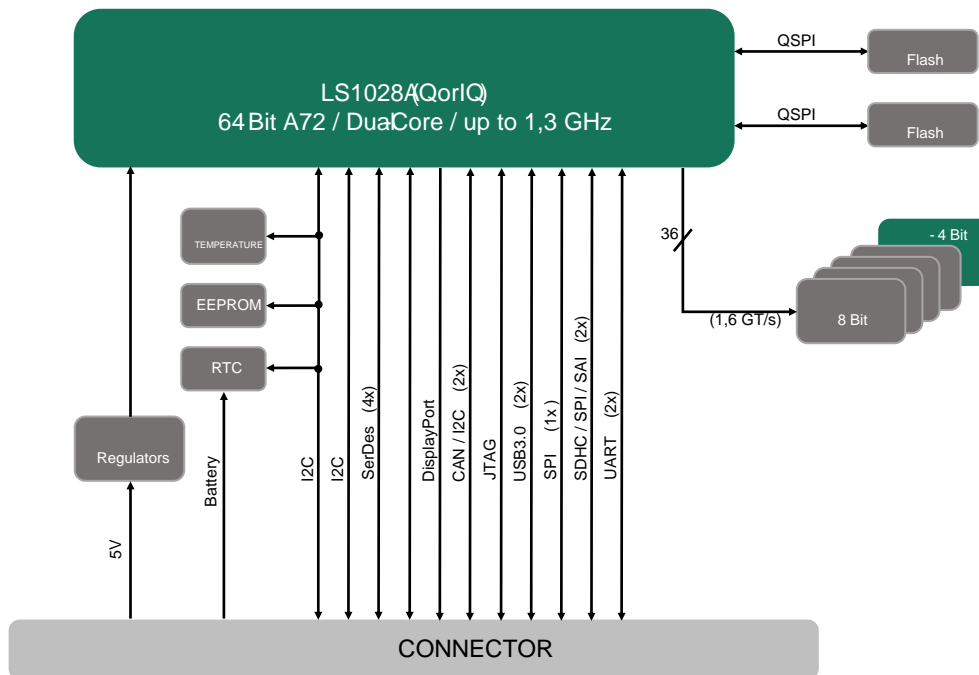
<b>Optional Extended Temperature:</b>	-40 °C to +85 °C
<b>Mechanical</b>	
<b>Dimensions:</b>	45 mm x 62 mm
<b>Connector Type:</b>	230 pin 0.5 mm pitch
<b>Software / Additional</b>	
<b>Software Support:</b>	<ul style="list-style-type: none"> <li>- Linux</li> <li>- VxWorks (on request)</li> <li>- Others (on request)</li> </ul>
<b>Additional:</b>	<p>Graphics processing unit:</p> <ul style="list-style-type: none"> <li>- Supports Geometry rate 100 Mtri/sec, Pixel rate 650 Mpixel/sec, GFLOPS(32-bit high precision) = 10.4</li> <li>- Supports OpenGL ES 3.0, 2.0, 1.1</li> <li>- Supports OpenCL 1.1, 1.2</li> <li>- Compatible variants available with QorIQ® LS1018A</li> <li>- Temperature sensor</li> <li>- Dev Kit available for immediate start, includes power supply, cables</li> <li>- Linux on SD card</li> </ul>

**General Note:**

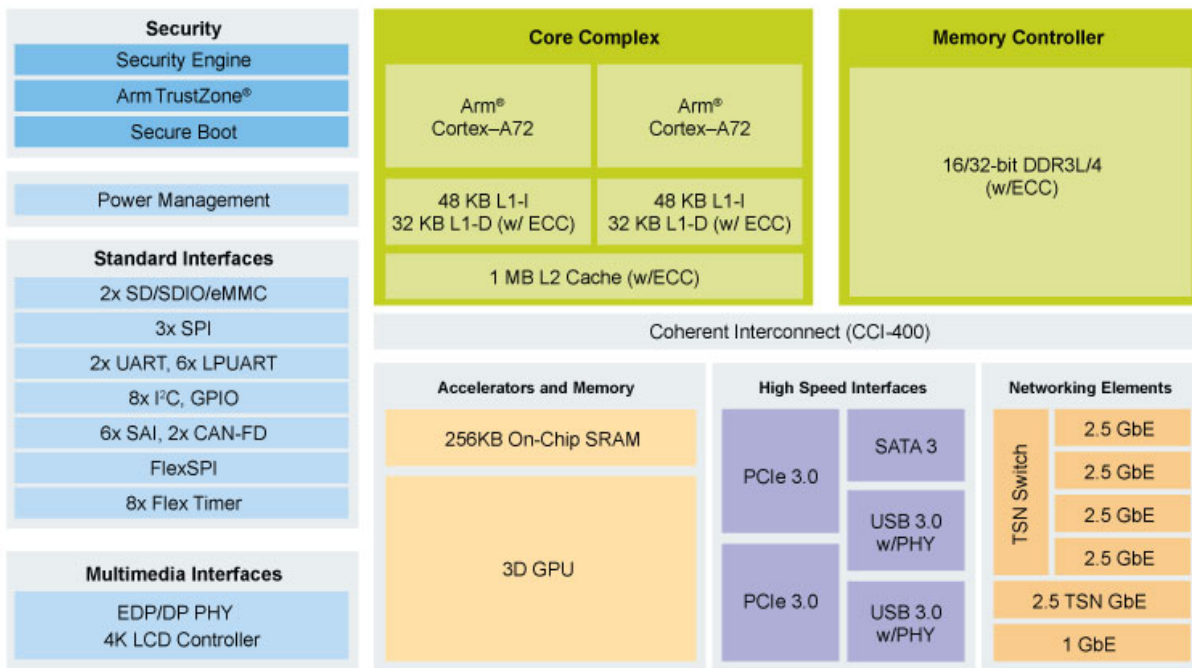
Our standard product versions offer what we consider to be the optimum configuration in terms of performance, price, usage and TDP. The product features lists specify the maximum range of functions per interface. However, not all interfaces or functions are always available in parallel. Flexible SERDES multiplexing is one of the reasons for this. In addition, we provide multiple memory expansion options and are also happy to accommodate specific customer wishes. So do not hesitate to [contact us](#) directly to discuss your desired configuration.



# Block Diagrams



miriac® MPX-LS1028A



NXP® Layerscape LS1028A





## Order Info

Name	Code	Description	Status
<a href="#">miriac® MPX-LS1028A</a>	857001	2 Arm® Cortex®-A72, 1.3 GHz, 4 GB DDR4 w ECC, 16 MB NOR Flash, 512 MB Nand Flash, 0 °C to 70 °C, w SEC	active
Development Kit basic for <a href="#">miriac® MPX-LS1028A</a>	8576	<ul style="list-style-type: none"><li>• <a href="#">miriac® MPX-LS1028A</a></li><li>• <a href="#">CRX07-TSN</a></li><li>• incl. BSP and accessories</li></ul>	active



## Related Products

Name	Description	Image
<a href="#">miriac® SBC-LS1028A-TSN</a>		
<a href="#">CRX07-TSN</a>		

  
Creating Embedded Systems

Mühlweg 1  
82054 Sauerlach  
Germany

Sales: +49 8104 801-130  
E-Mail: [info@microsys.de](mailto:info@microsys.de)  
[www.microsys.de](http://www.microsys.de)

  
NXP  
Gold  
Partner