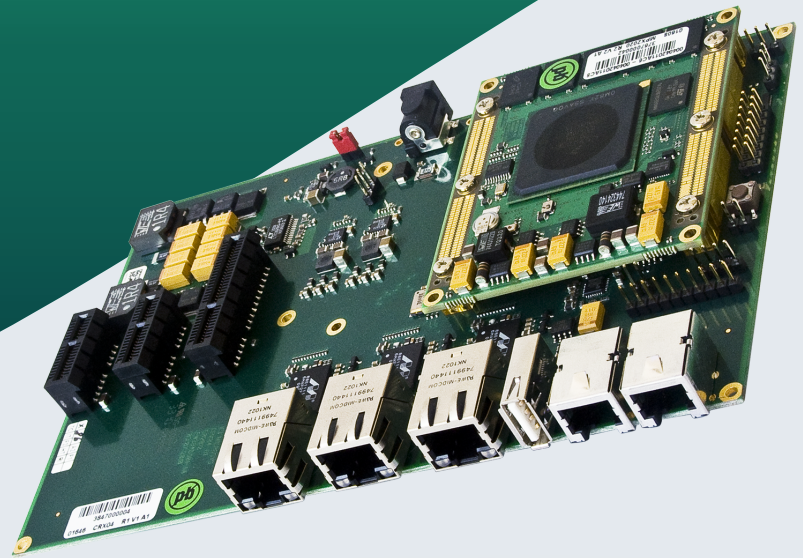


SBC Power Architecture

miriac® SBC2020 (EOL)

Single Board Computer based on NXP® QorIQ® P2020



Highlights



- Up to 2 GB soldered DDR2 RAM
- Two 208 Pin Zero Force Connectors, that make all I/O and bus signals available to the carrier board.
- The four e500v2 CPU cores in combination with the integrated hardware hypervisor and CoreNet fabric allow completely new designs for control applications.





Product Description

The miriac® SBC2020 Single Board Computer is a member of a family of Freescale QorIQ® P2/P1 series based complete system solutions by MicroSys. The single board computer is a fast means to implement rugged designs with the aim to withstand extreme and harsh environments.



Features

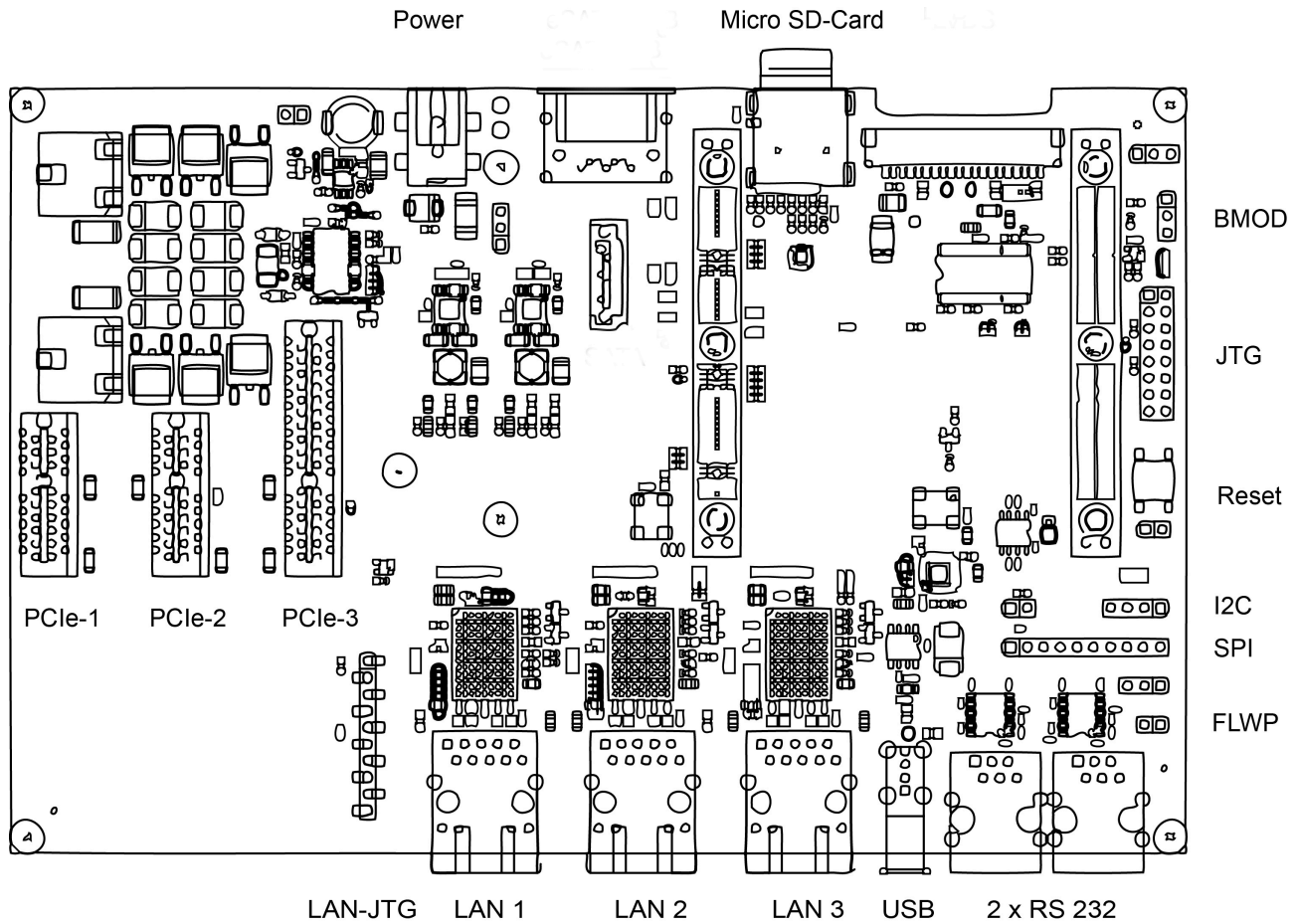
CPU	
Architecture:	PowerPC
Processor:	NXP® QorIQ® P2020, 2x e500v2 core @1.0 or 1.2 GHz, 32 kB L1 and 512 kB L2 caches
Memory	
Flash:	up to 512 MB NAND Flash
Flash Card:	1x microSD Card Slot
High Speed IO	
USB 2.0:	1x USB 2.0
Operating Condition	
Power Supply Voltage:	Single +12 V power input
Software / Additional	
Software Support:	Linux
	Microware OS-9
	VxWorks
	MicroC/OS-II
	QNX
	others are available on request

General Note:

Our standard product versions offer what we consider to be the optimum configuration in terms of performance, price, usage and TDP. The product features lists specify the maximum range of functions per interface. However, not all interfaces or functions are always available in parallel. Flexible SERDES multiplexing is one of the reasons for this. In addition, we provide multiple memory expansion options and are also happy to accommodate specific customer wishes. So do not hesitate to [contact us](#) directly to discuss your desired configuration.




Block Diagrams



miriac® SBC2020



Related Products

Name	Description	Image
miriac® MPX2020 (EOL)		



 **MicroSys**
Creating Embedded Systems

Mühlweg 1
82054 Sauerlach
Germany

Sales: +49 8104 801-130
E-Mail: info@microsys.de
www.microsys.de

