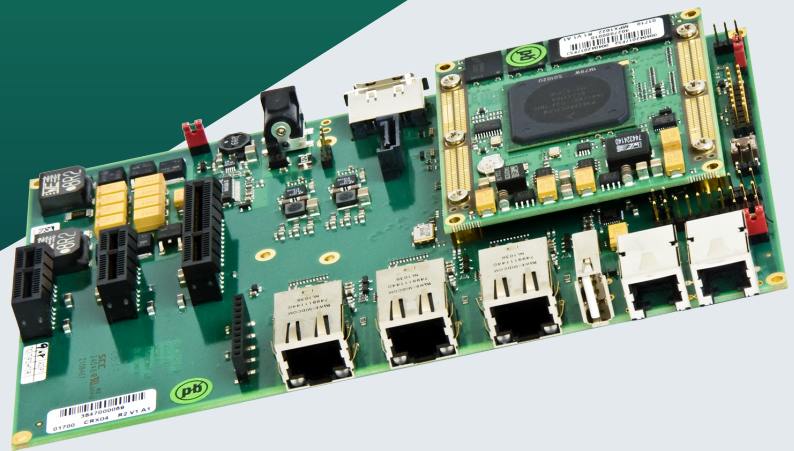


SBC Power Architecture

# miriac® SBC1022 (EOL)

Single Board Computer based on NXP® QorIQ® P1022



## Highlights

- Up to 2 GB soldered DDR2 memory
- Two 208 Pin Zero Force Connectors, that make all I/O and bus signals available to the carrier board.
- LCD interface supporting a display of 1280 x 1024 P @ 60 MHz, 24 bits per pixel





## Product Description

The miriac® SBC1022 Single Board Computer is a member of a family of Freescale QorIQ® P2/P1 series based complete system solutions by MicroSys. The single board computer is a fast means to implement rugged designs with the aim to withstand extreme and harsh environments. In addition the SBC1022 offers a LVDS interface for embedded graphics applications on a low power consumption envelope.



## Features

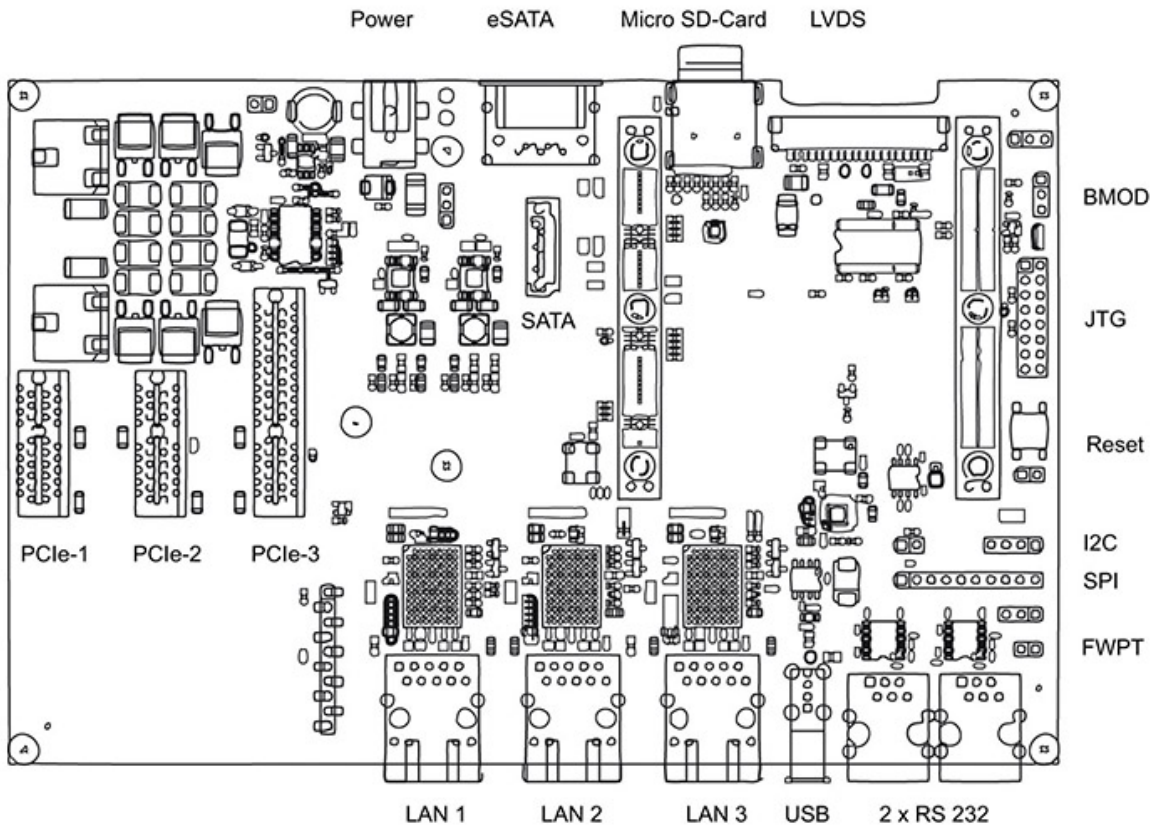
CPU	
Architecture:	PowerPC
Processor:	NXP® QorIQ® P1022 CPU, dual 500v2 core @600 - 1055MHz, 256kB L2 Cache with ECC, also configurable as SRAM and stashing memory
Memory	
Flash:	up to 512MByte NAND Flash
Flash Card:	1x SD Card Slot
Graphic	
Graphics Controller:	LCD interface supporting a display of 1280 x 1024P @ 60MHz, 24 bits per pixel
High Speed IO	
USB 2.0:	1x USB 2.0
SATA:	2x SATA
Operating Condition	
Power Supply Voltage:	Single +12 V power input
Software / Additional	
Software Support:	Linux
	Microware OS-9
	VxWorks
	QNX
	others are available on request

### General Note:

Our standard product versions offer what we consider to be the optimum configuration in terms of performance, price, usage and TDP. The product features lists specify the maximum range of functions per interface. However, not all interfaces or functions are always available in parallel. Flexible SERDES multiplexing is one of the reasons for this. In addition, we provide multiple memory expansion options and are also happy to accommodate specific customer wishes. So do not hesitate to [contact us](#) directly to discuss your desired configuration.



# Block Diagrams



miriac® SBC1022

  
Creating Embedded Systems

Mühlweg 1  
82054 Sauerlach  
Germany

Sales: +49 8104 801-130  
E-Mail: [info@microsys.de](mailto:info@microsys.de)  
[www.microsys.de](http://www.microsys.de)

